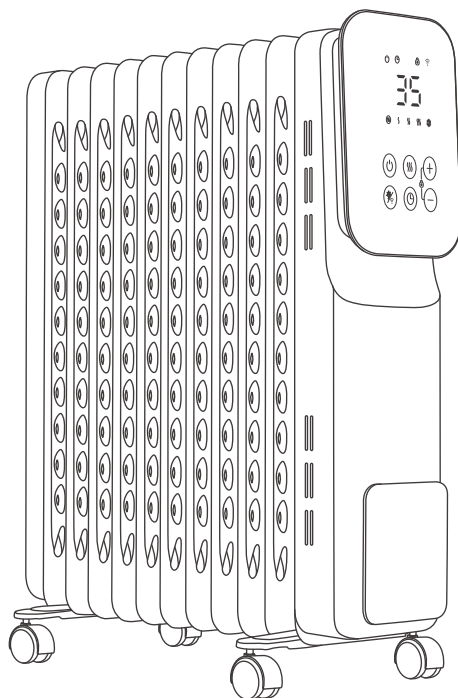


BEFORE USE:

Please read the instructions carefully. You must inspect the appliance including its cable and plug for any signs of damage. If the product is damaged, DO NOT USE and contact your supplier immediately for refund or replacement.

This product is only suitable for well insulated spaces or occasional use.

MYZEK®



V 2022-08

INSTRUCTION MANUAL FOR MODELS

OIL FILLED RADIATOR
MYHA01E-9CW / MYHA01E-11CW

| GENERAL INFORMATION

Thank you for choosing the Mylek WiFi panel heater with Open window function. Please take time to carefully read and understand the entire instruction manual before using the product and then save it for future reference. We reserve the right for any errors in text or images and any necessary changes made to technical data. If you have any questions concerning operational or technical problems please contact our Customer Services on **0800 091 3171**.

| BEFORE USING THIS HEATER

When using electrical appliances, basic precautions should always be followed to reduce the risk of fire, electric shock, and injury to persons. This includes but is not limited to the following.

CAUTION

This appliance is not intended for use by persons (including children) with reduced physical, sensory or mental capabilities, or lack of experience and knowledge of the product. The appliance is to be operated by responsible adults only after reading and understanding these instructions. Children should be supervised at all times to ensure that they do not play with the appliance. Children under 16 years should not operate the unit or carry out maintenance and/or clean the unit. Any infirmed persons in the vicinity of the unit should be accompanied by a responsible and competent

able bodied adult. Remove the packing and make sure that the appliance is intact. If there is any doubt concerning the integrity of the unit do not use the appliance and contact our recommended after-sales service.

Do not leave any packaging materials within easy reach of children. Before switching on appliance check if the electrical voltage and frequency of the circuit correspond to those indicated on the appliance. Use the appliance only for the stated purpose, namely as a heater for domestic use. Do not use it for any other application as it could be dangerous.

| IMPORTANT SAFETY REQUIREMENTS

- This appliance can be used by children aged from 8 years and above and persons with reduced physical, sensory or mental capabilities or lack of experience and knowledge if they have been given supervision or instruction concerning use of the appliance in a safe way and understand the hazards involved. Children shall not play with the appliance. Cleaning and user maintenance shall not be made by children without supervision.
- Children of less than 3 years should be kept away unless continuously supervised.
- Children aged from 3 years and less than 8 years shall only switch on/off the appliance provided that it has been placed or installed in its intended normal operating position and they have been given supervision or instruction concerning use of the appliance in a safe way and understand the hazards involved. Children aged from 3 years and less than 8 years shall not plug in, regulate

and clean the appliance or perform user maintenance.

- CAUTION - Some parts of this product can become very hot and cause burns. Particular attention has to be given where children and vulnerable people are present.
- If the supply cord is damaged, it must be replaced by the manufacturer, its service agent or similarly qualified persons in order to avoid a hazard.
- CAUTION: In order to avoid a hazard due to inadvertent resetting of the thermal cutout, this appliance must not be supplied through an external switching device, such as a timer, or connected to a circuit that is regularly switched on and off by the utility.
- The heater must not be located immediately below a socket-outlet.
- Means for disconnection having a contact separation in all poles must be incorporated in the fixed wiring in accordance with the wiring rules.
- Do not use this heater in the immediate surroundings of a bath, a shower or a swimming pool.



WARNING: In order to avoid overheating, do

not cover the heater.

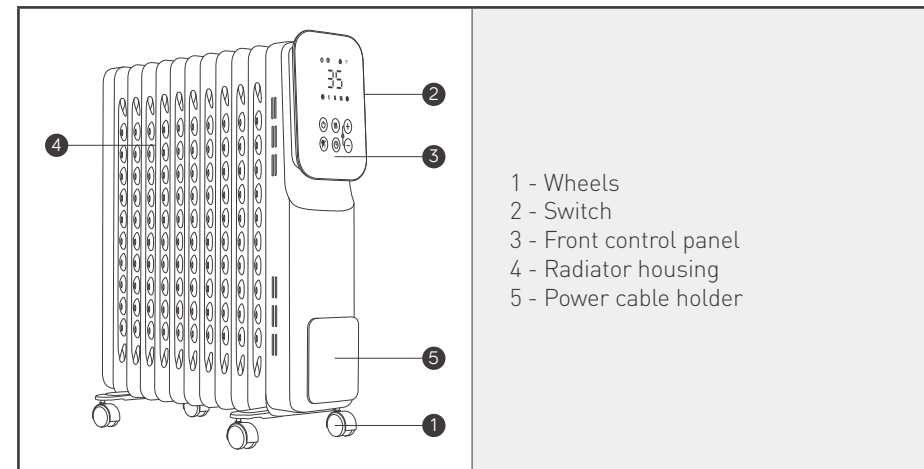
- This heater is filled with a precise quantity of special oil. Repairs requiring opening of the oil container are only to be made by the manufacturer or his service agent who should be contacted if there is an oil leak.

**THIS PRODUCT IS FOR ROOM HEATING
FOR HOUSEHOLD USE ONLY**

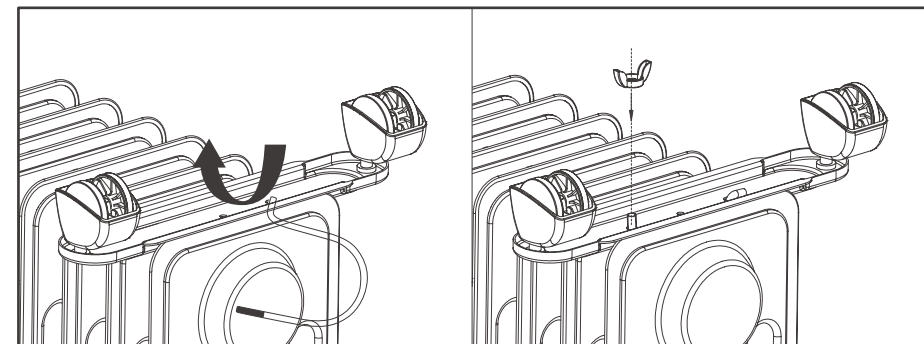
| SPECIFICATIONS

Model No.	RATED VOLTAGE	RATED POWER
MYHA01E-9CW	AC220-240V, 50-60Hz	2000W
MYHA01E-11CW	AC220-240V, 50-60Hz	2500W

| STRUCTURE AND PARTS

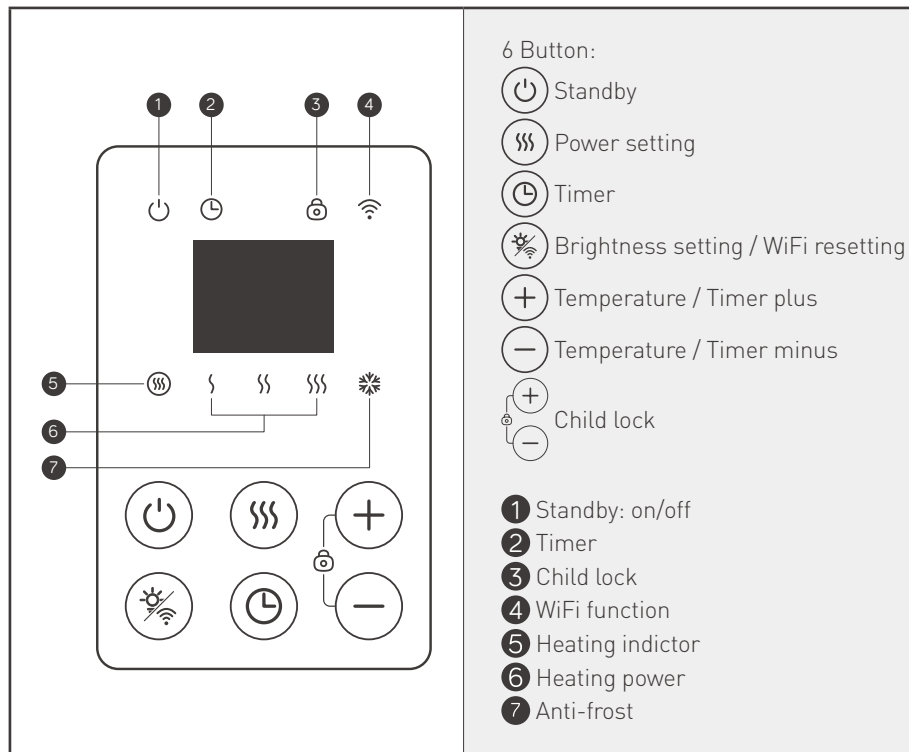


| INSTALLATION



1. To prevent damage, place the radiator upside down on a soft surface (for example a carpet)
2. Fix wheels on two plates with cap nuts. Wheels should be installed between the two first and two last fins.
3. Insert the U-shaped hook into the wheels plate and fix it on the radiator by wing nuts.
4. Turn the heater upright. Wait one minute before to connect the heater to power outlet.

| CONTROL PANEL AND SCREEN



| HOW TO USE

Note: Connect the appliance to a safety socket 220-240 V~ 50-60 Hz.

1. Turn on on/off switch and press to switch on the unit.

2. Press or to adjust the target temperature, 5-35°C
3. Press to adjust the heating status from / / / .

	MYHA01E-9CW	MYHA01E-9CW
	800W	1000W
	1200W	1500W
	2000W	2500W
	Anti Frost Protection. Automatic thermostat that switches the heater on, if the room temperature drops below 7°C. This helps to reduce the likelihood of water pipes freezing and bursting	

4. Press to set the 24 hours timer off, "0" means the timer function is off. The indicator light will light up when this function is activated.
5. Press to set the display brightness.
6. When the heater is working, the will light up.
7. Press & together for child lock.
8. The light of screen will be dim after stopping the operation for 60 seconds.

| TIP-OFF SAFETY DEVICE

- This appliance is provided with a safety device which will switch off the heater in case of accidental tipping off. To reset, disconnect the plug from the power for a few minutes, remove the cause of tipping off, then plug the appliance in again. If it still cannot be reset, ask a qualified technician to check and repair.

| OVERHEAT SAFETY DEVICE

- Your heater is fitted with a safety device to switches off the heater in the event of overheating. If the safety device operated, please turn the heater off, unplug the appliance and let it completely cool, inspect for blockage of air inlet or outlet, attempting to restart the heater then after.
- If the heater fails to operate or the safety device switches the heater off again, return heater to your nearest service center for examination or repair.


| WIFI CONNECTION

Use your phone to scan the QR code below or search for the **“TUYA SMART”** App to download and generate a free account. You can also visit www.tuya.com for more information. Please note Tuya are constantly developing and upgrading their Apps to make them more user friendly and sometimes, displays may differ slightly to the display shown in this manual due to upgrades. If you have any questions concerning technical problems, please contact our Customer Services on **0800 091 3171** quoting the model number found on the unit rating label.



Select your country code, enter your mobile number and select “Get” to receive a message containing your verification code. Enter your verification code and select “Login”.

When the first using to turn on the heater, the WiFi indicator light will flash, connect it in the APP.

Reset the WiFi, press  for 3 secs, the item will “beep”, the WiFi indicator light will flash rapidly, you can now connect within the APP.

A Quick connection: Turn on your bluetooth in you mobile phone, then set as following steps.



Press “+” in the right-top position and go to next step



Press “Go to add”



Select 2.4 GHz WiFi Network and enter the password, press next



Wait it's connected and press “Next”, the APP will show as below



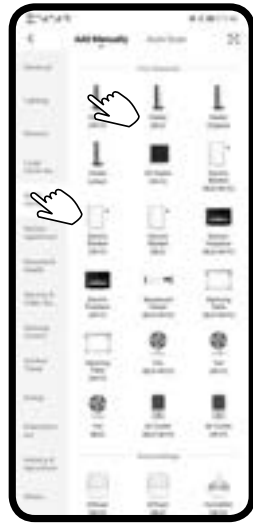
You can press to modify the name of the product

B Normal connection

If the bluetooth is not on, pls follow the next step:



Press "+" in the right-top position and go to next step



Choose small home appliance and heater



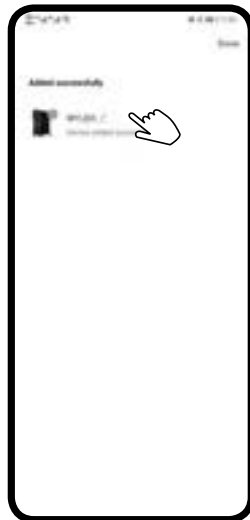
Select 2.4 GHz WiFi Network and enter the password, press next



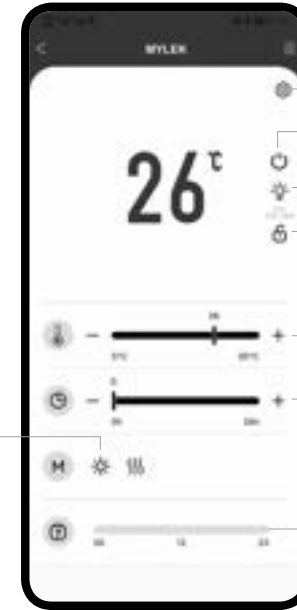
Select 2.4 GHz WiFi Network and enter the password, press next



Wait it's connected and press "Next", the APP will show as below



You can press to modify the name of the product



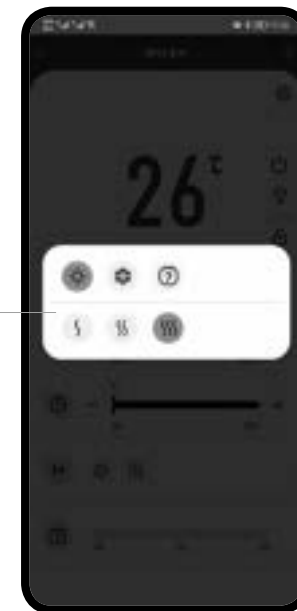
Working model selection

- Other functions
- Turn on/off the heater
- Night mode
- Children lock

Target temperature setting

Timer off

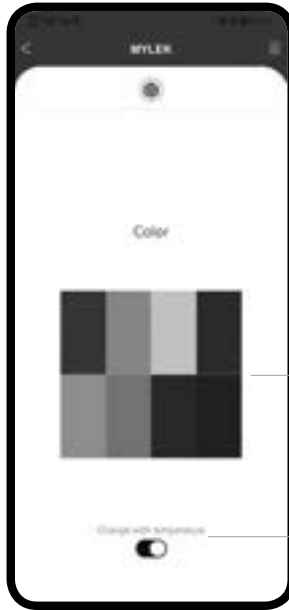
Smart timer



Working model selection

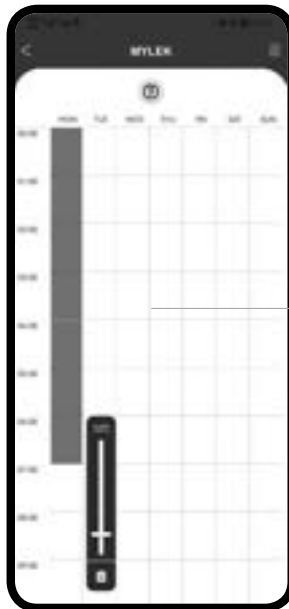
You can also choose to set to your own requirements by selecting the Smart Timer ⌚ within the App.

- ☀ Comfort mode
- ❄ Anti-frost mode
- ⌚ Smart timer
- ⌋ Heating power 1
- ⌋⌋ Heating power 2
- ⌋⌋⌋ Heating power 3



App background color selection

Turn on/off background color changing
If on, the background color will change according to the temperature



Smart timer:
Set the working time and working temperature for every hour in everyday

| MAINTENANCE

1. Always disconnect the appliance and let it completely cool before any maintenance.
2. Use a vacuum cleaner to remove dust on grilles.
3. Clean the outside of the unit with a damp cloth and then dry it with a dry cloth. Never immerse the unit in water, nor let water drip into the unit.

| STORING

1. Always disconnect the appliance, let it completely cool and clean it before storing.
2. If you do not use the device for a long period, put back the unit and the instruction manual to the original carton and store in a dry and ventilated place
3. Do not place any heavy items on top of carton during storing as this may damage the appliance.

Information requirements for electric local space heaters

Model identifier(s): MYHA01E-9CW			
Item	Symbol	Value	Unit
Heat output			
Nominal heat output	P _{nom}	2.0	kW
Minimum heat output (indicative)	P _{min}	0.8	kW
Maximum continuous heat output	P _{maxc}	2.0	kW
Auxiliary electricity consumption			
At nominal heat output	eI _{max}	0.000	kW
At minimum heat output	eI _{min}	0.000	kW
In standby mode	eI _{sb}	0.0001	kW
Model identifier(s): MYHA01E-11CW			
Item	Symbol	Value	Unit
Heat output			
Nominal heat output	P _{nom}	2.5	kW
Minimum heat output (indicative)	P _{min}	1.0	kW
Maximum continuous heat output	P _{maxc}	2.5	kW
Auxiliary electricity consumption			
At nominal heat output	eI _{max}	0.000	kW
At minimum heat output	eI _{min}	0.000	kW
In standby mode	eI _{sb}	0.0001	kW
Contact details	Hygiene Supplies Direct Limited, Ground floor, Tayson House, Methley Road, Castleford WF10 1PA		



This marking indicates that this product should not be disposed with other household wastes throughout the EU. To prevent possible harm to the environment or human health from uncontrolled waste disposal, recycle it responsibly to promote the sustainable reuse of material resources. To return your used device, please use the return and collection systems or contact the retailer where the product was purchased. They can take this product for environmental safe recycling.

The importer retains his right to make changes in appearance and completeness of the item without preliminary notification to the customer.
The item is for indoor use only.
The manufacturer does not assume any liability for any damage caused directly or indirectly by not following this instruction manual, general safety rules, or interference in the construction of the product.

SERVICE WARRANTY

Hygiene Supplies Direct guarantees the product free from defects in materials and workmanship for a period of 1 year from date of purchase. Should this unit be operated under conditions other than those recommended, at voltages other than the voltage indicated on the unit, or any attempts made to service or modify the unit, then the warranty will be rendered void. The product you buy may sometimes differ slightly from illustrations. This warranty is in addition to, and does not affect, your statutory rights. If you have any problems with this product, please call our Help Desk on **0800 091 3171** or email: **sales@hygienesuppliesdirect.com**

MYLEK®

YESSS Electrical, YESSS House, Normanton, WF6 1TN
declares that the Mylek Heaters are exclusively manufactured
and imported for Hygiene Supplies Direct Ltd.